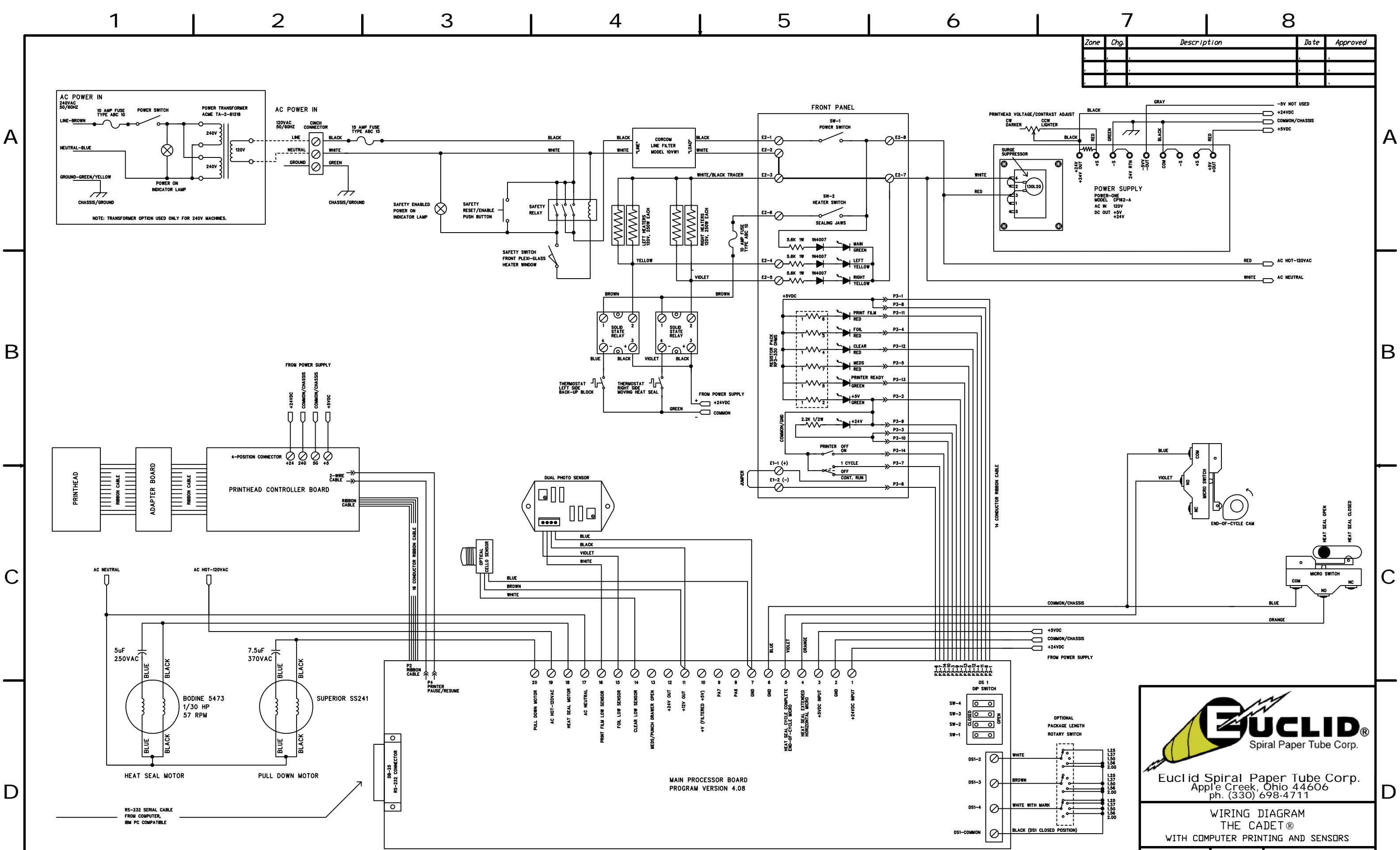


Zone	Chg.	Description	Date	Approved



Euclid®
Spiral Paper Tube Corp.
Euclid Spiral Paper Tube Corp.
Apple Creek, Ohio 44606
ph. (330) 698-4711

WIRING DIAGRAM
THE CALET®
WITH COMPUTER PRINTING AND SENSORS

SCALE	NTS	REV.	
DRAWN	EPH	DATE	9/15/03
CHK'D		DATE	
APP'D		DATE	

DWG. NO.	29666
SHT.	1 OF 1

NOTICE This document and the information hereon are confidential and are the EXCLUSIVE PROPERTY of E. S. P. T. Corp., Apple Creek, Ohio, and shall not be REPRODUCED or USED without the prior written consent of E. S. P. T. Corp.